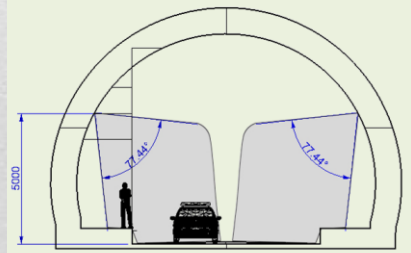
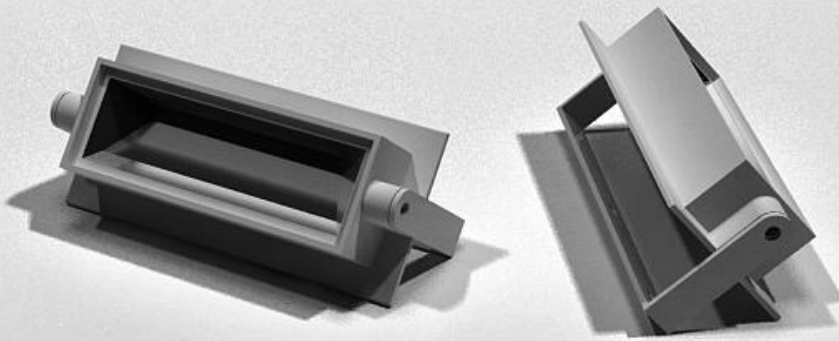
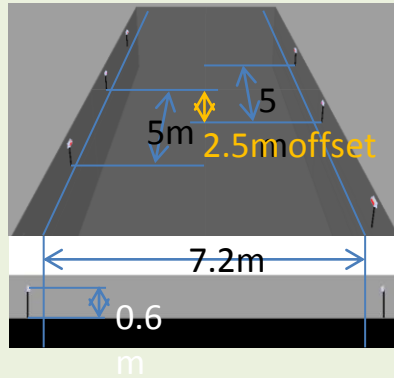


PATENT PENDING App No-4011-MUM-2013



12W light array

CTech Jugnoo Modular Tunnel Light is an outcome of through research and patented lighting Solutions technology, which can be customised to deliver optimum uniform light on the tunnel surface. Giving more visibility with less light.



Offset lighting to avoid black spots – accident free driving

- Available in **12 W/24W modules:**
- Voltage range:** 110V/240VAC input
- Temperature range:** -20 deg C to + 50 deg C
- Lifespan:** 50,000 -100,000 hours
- Color Rendering Index > 90**
(objects appear in true color)
- Positioning:** as per lighting requirement
- IP class :** 66

CTECH

A Sine-IITB Company
**Innovation
Development
Company**

TUNNEL DIMENTIONS

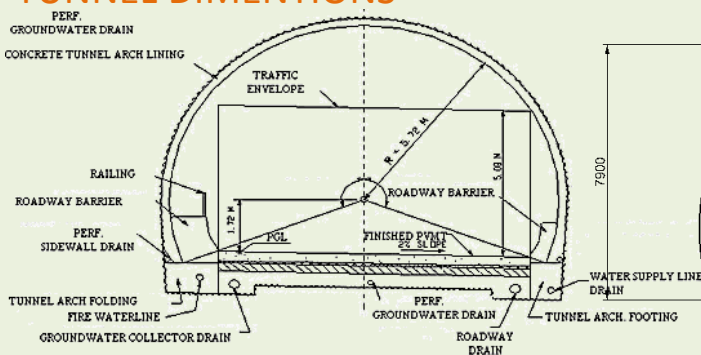


Fig (xi)

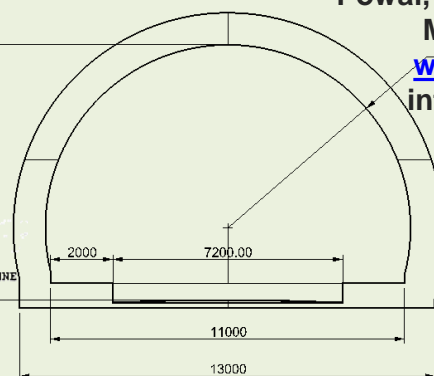


Fig (xii)

Drawing of the one way two lane tunnel as per US Department of transportation, Federal Highway administration.

Ref. <http://www.fhwa.dot.gov/bridge/tunnel/pubs/nhi09010/02a.cfm>

Drawing of tunnel used for testing the designed reflector

CTech Labs Pvt Ltd

Powai, Mumbai – 400076

M: +919833687822

www.ctechlab.com

info@ctechlab.com